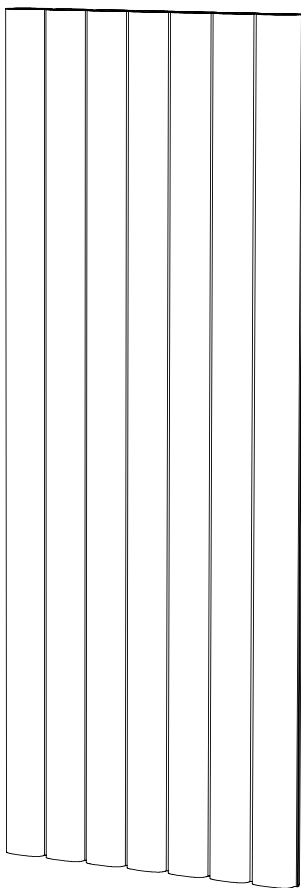


Installation instructions CTL panels

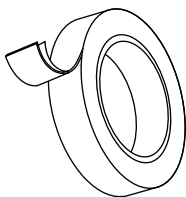
● These installation instructions apply to cut-to-length (CTL) panels. By following them, you will achieve the best possible result.



1

Materials

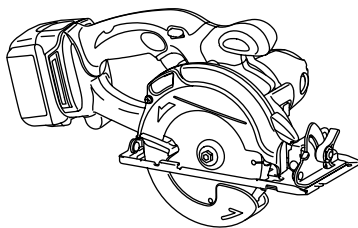
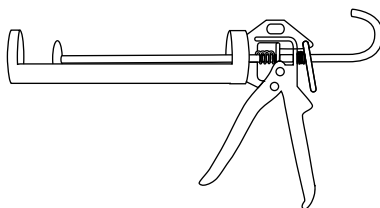
1. Double-sided tape with a strong adhesive surface (e.g. Sitko Duo 19 mm)
2. Caulking gun and installation adhesive (e.g. Casco XtremFix+)
3. Circular saw with a fine-tooth blade
4. Utility knife
5. Finishing nailer
6. Hot glue gun (if needed for demanding installations)



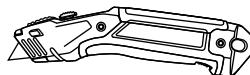
1



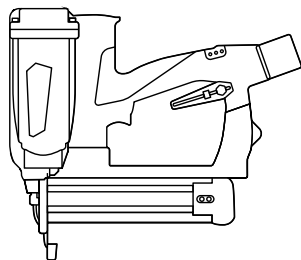
2



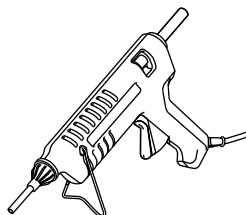
3



4



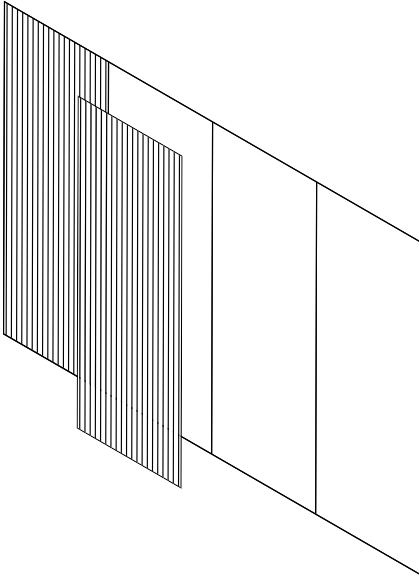
5



6

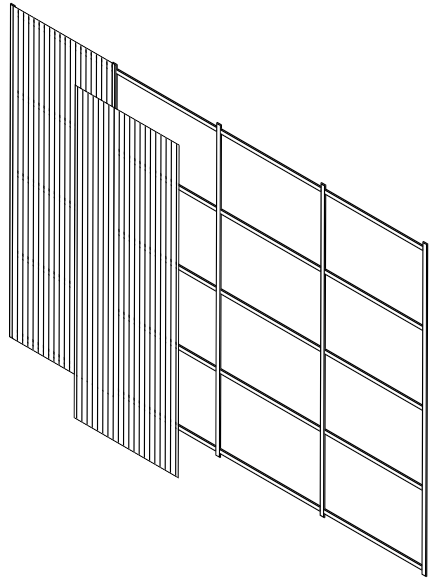
2

Mounting surfaces



1

Panels can be installed directly onto a flat wall surface using adhesive. Gypsum board, concrete, fiberboard/OSB, and plywood surfaces are all suitable for direct installation.



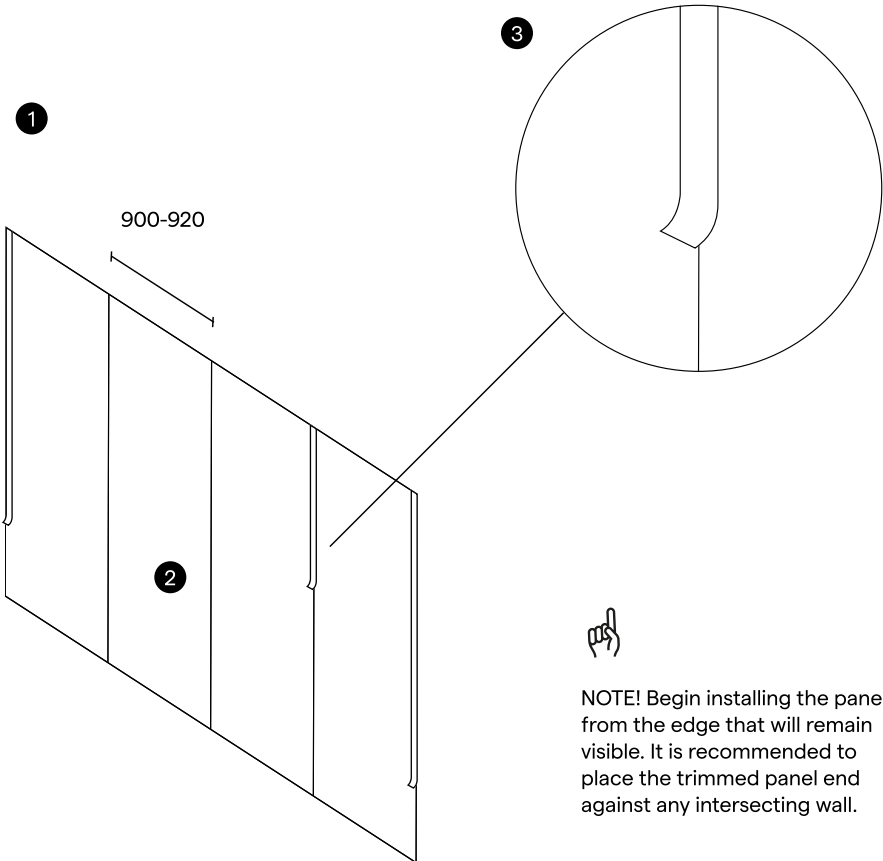
2

For uneven surfaces or surfaces with poor adhesion, a cross-batten frame is recommended. A closed batten structure also improves acoustic performance.

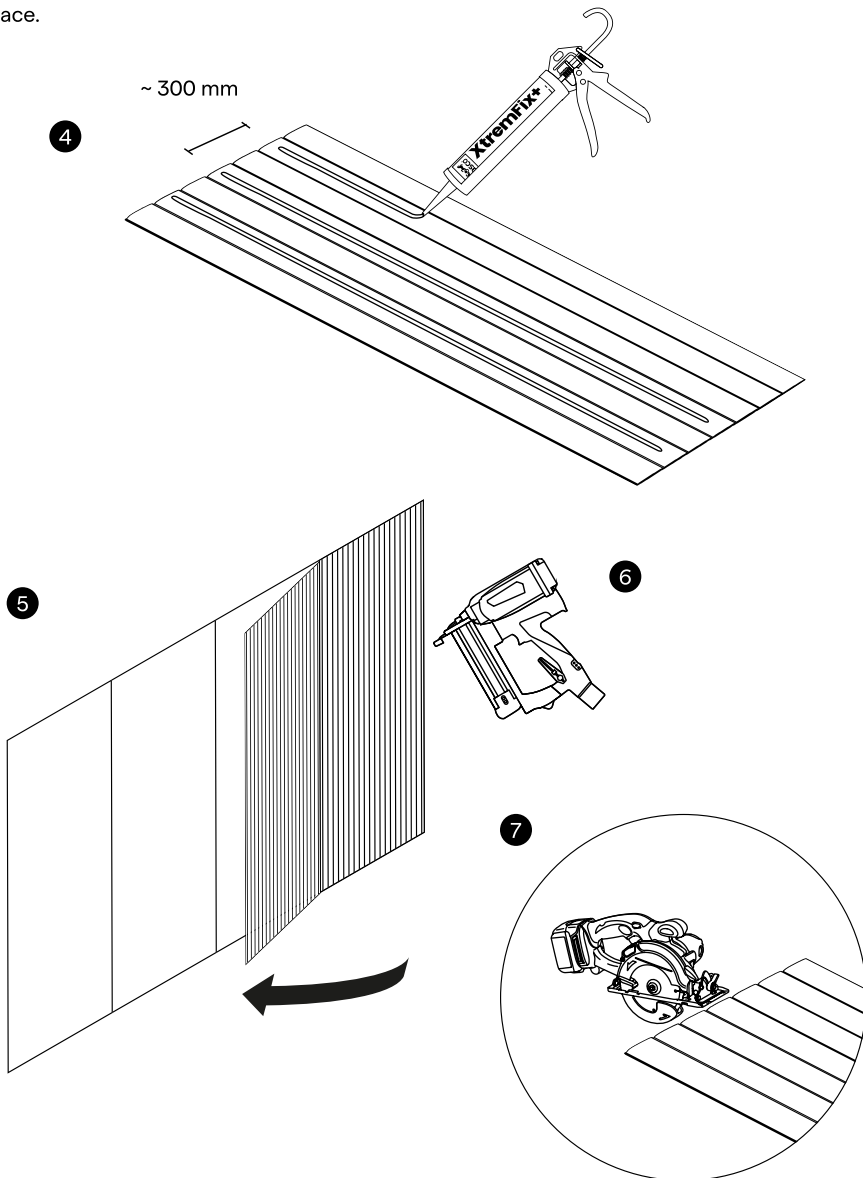
3

Direct installation onto the mounting surface

1. Verify the width of the panel to be installed. The panel width may vary slightly depending on the fabric thickness and storage conditions. Store and transport the panels on their sides or in an upright position.
2. Mark an installation spacing of 900–920 mm on the mounting surface.
3. Apply double-sided tape to the mounting surface along the panel seams. Also apply tape to both edges of the first panel.



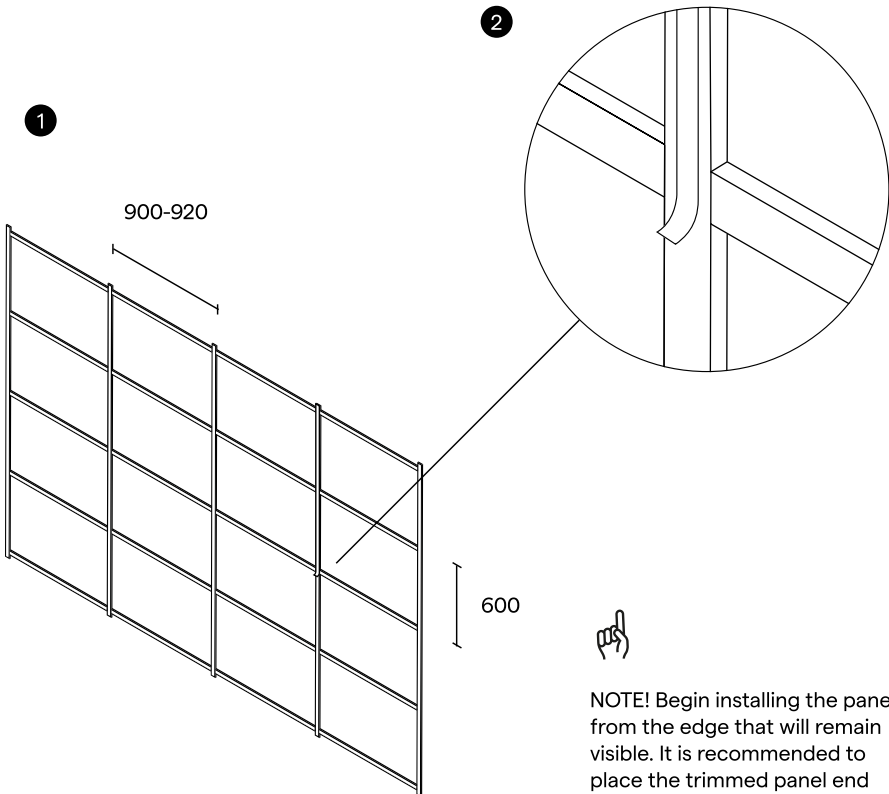
4. Apply installation adhesive to the back side of the panels at approximately 300 mm intervals on the areas that will contact the mounting surface. Do not apply adhesive to the panel seams.
5. Align the edge of the panel carefully against the tape, then press the entire panel firmly onto the mounting surface. Position the next panel precisely at the seam and press it into place.
6. If the mounting surface allows, secure the panels additionally from the bottom of the profile using a finishing nailer at approximately 300 mm intervals. Do not nail through the taped edges of the panels.
7. Trim the last panel if necessary using a circular saw or a utility knife.



4

Installation on a batten frame

1. Verify the width of the panel to be installed. The panel width may vary slightly depending on the fabric thickness and storage conditions. Install vertical battens at the panel seams (900–920 mm) and horizontal battens between the vertical battens with a spacing of 600 mm.
2. Install the battens (e.g., 15–18 mm × 40 mm plywood strips). Both vertical and horizontal battens should be installed flush on the same plane. Apply double-sided tape to the battens along the panel seams, and also on both edges of the first panel.



3. Apply installation adhesive along the entire length of the horizontal battens, or at least on the areas that will contact the panels. Do not apply adhesive to the vertical battens.
4. Align the edge of the panel precisely against the tape, then press the entire panel firmly against the battens. Position the next panel exactly at the seam and press it into place.
5. Secure the panels additionally from the bottom of the profile to the horizontal battens using a finishing nailer at approximately 300 mm intervals. Do not nail through the taped edges of the panels.
6. Trim the last panel if necessary using a circular saw or a utility knife.

